

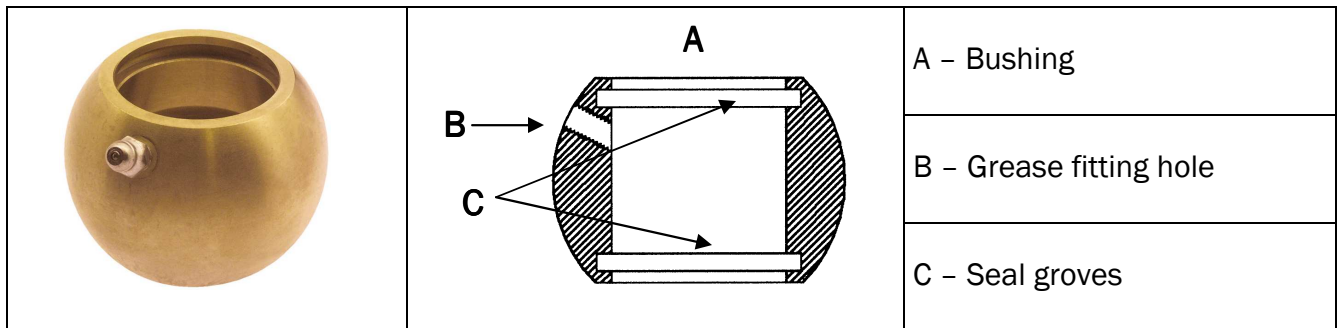


Service bulletin

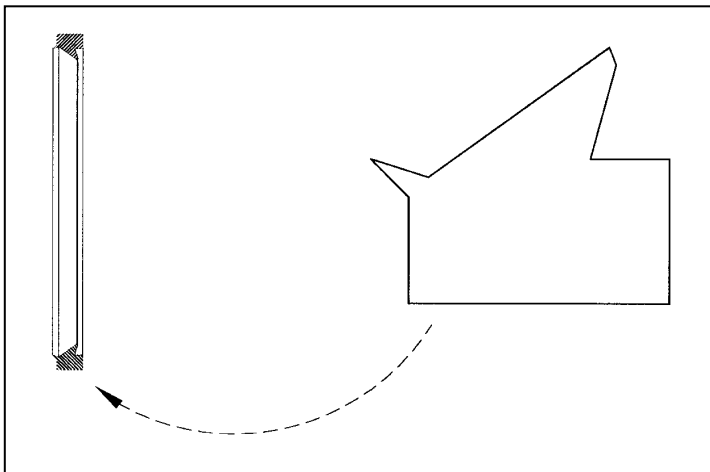
New seal design for BBOC-152380 & 152500 bushing

These bushings are used in many models of trailer axles.

Due to their particular features it requires special attention when it comes to installation procedures.



Design of the BBOC-152380 & BBOC-152500 bushings.



Cross-sectional view of seal (part # SL-WV-130)





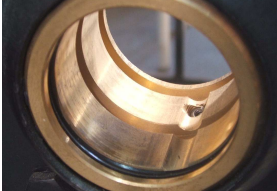


Seal with white mark on external side

Install seals with the white marks facing outward of the bushing.

Refer to the "Trailer axle procedure" manual's section B step 5 - Align-boring the spider bushing on trailer axles, Step 6 - Align-boring the center bracket bushing and Step 7 - Checking the side-play of the camshaft - before installing the seals as shown below .

Step by step Installation procedure

	<p>Step 1; Once bushing is installed and align-bored as described in section B Steps 5 & 6 of the "Trailer axles procedure manual" (SMCO-TA-1.3) clean all debris from align-boring procedure.</p> <p>DO NOT LUBRICATE THE BORE OF THE BUSHING UNTIL SEALS ARE IN PLACE.</p>
	<p>Step 1A; Check side play of the cam as described in section B Step 7 of the "Trailer axles procedure manual" (SMCO-TA-1.3) to make sure the cam-to-bushing clearance is within specs.</p> <p>Once this is verified, go to step 2.</p>
	<p>Step 2; Inspect each seal for defects or deformation. A white mark has been applied on the outward face of the seals, make sure it is visible.</p> <p>Ensure that each seal is clean and in good condition before installation.</p>
	<p>Step 3; Insert both seals in respective grooves as shown in figure 1 below.</p> <p>Both seals must bottom out completely in respective grooves.</p> <p>Make sure white marks point outward on both sides of the bushing.</p>
	<p>Step 4; Once you are sure both seals are properly installed, lubricate the inside bore of the bushing and the seals with a thin coat of grease.</p>

Seals must be installed as shown in the next figure.

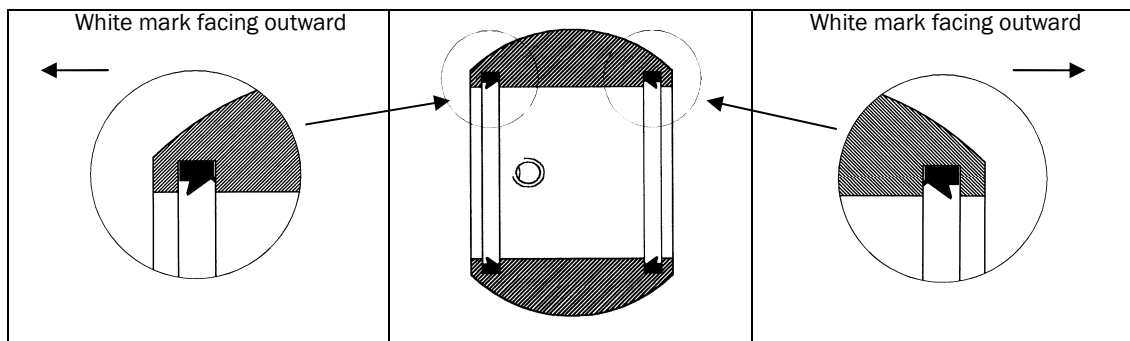


Figure 1

N.B. Both seals are installed with their internal wiper lips pointing outward.

For any questions regarding this service bulletin please use our
toll free tech support line:

1-877-765-9629