



SBCO-109

Advanced Wheelend Technologies

Service bulletin

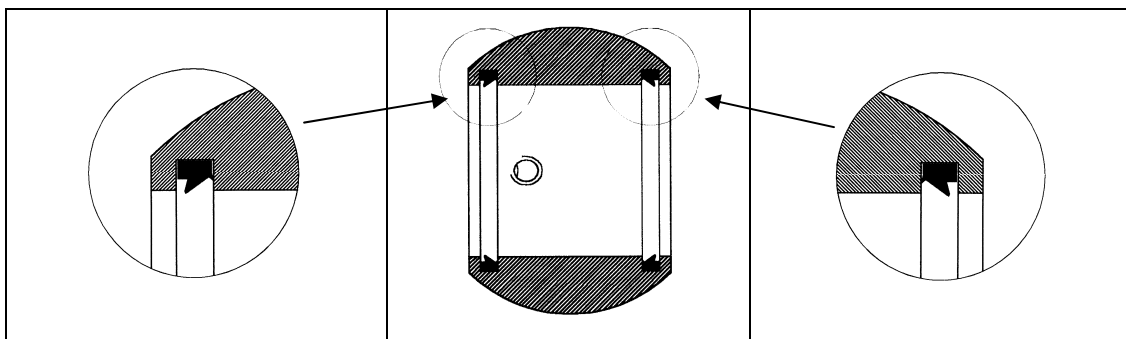
BBOC-152380 Heavy-Duty installation procedure

Heavy-Duty service application of the BBOC-152380 bushing involves extra seal protection to prevent infiltration of contaminants within the bushing. Although SL-WV-130 seals provide efficient protection against contaminants (refer to SBOC-111.1) this bulletin goes further with two more types of seals used to protect from contaminant infiltrations.

Seal design description

	
ORG-152380	SL-2500-HD-SWC

Two (2) ORG-152380 seals are mounted within the PLT-152380-2 mounting plates on either sides of the bushing, while the two (2) SL-2500-HD-SWC are mounted onto the camshaft outside the mounting plates. This makes for triple protection against contaminants.



For any questions regarding this service bulletin
please use our toll free tech support line;

1-877-765-9629